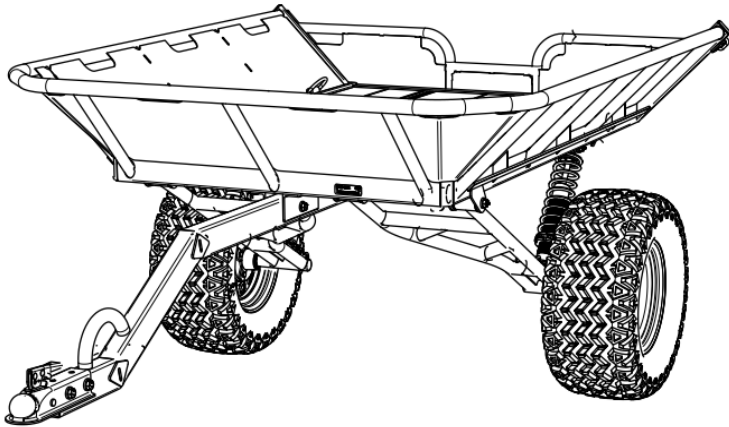
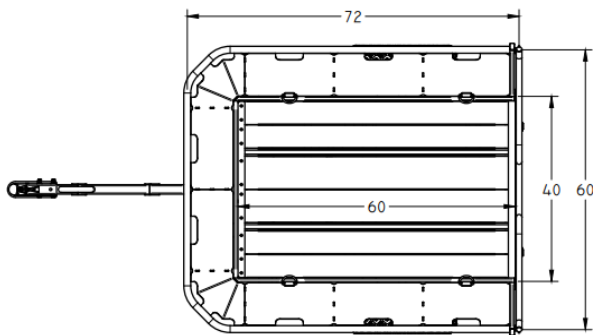
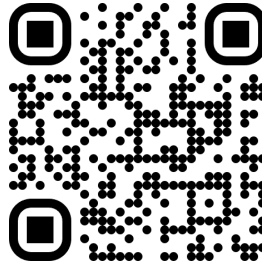


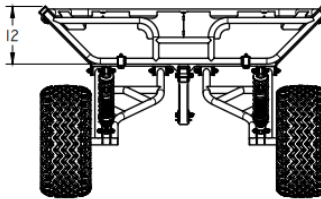
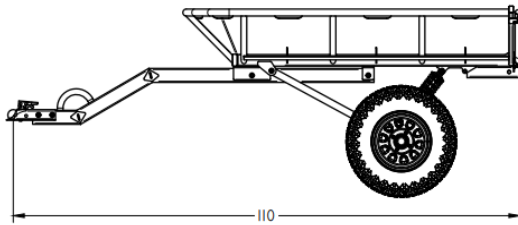
U651 Off-Road Utility Trailer



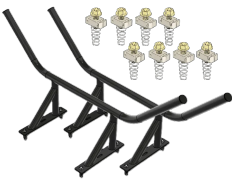
(Scan for More Info)



<u>Specifications</u>	
GVWR	1500 lbs.
Empty wt.	500 lbs.
Cargo Box	1000 lbs
Bed	72" x 60" x 12"
Hitch	60" x 40"
Wheels/Tires	2" Ball
Suspension	26x11-R12
	Independently Adjustable & Fully Greasable

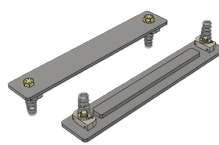


Accessories



UPR1-KIT

Get even more hauling versatility from your Myers Made trailer with the Post Rack Kit. This rugged accessory mounts securely into the built-in strut channels and extends upward to safely carry long fence posts, T-posts, lumber, or pipes above the bed. Free up the entire floor for additional gear like post diggers, wire rolls, tools, or supplies—ideal for fencing projects, ranch maintenance, or job site efficiency. No-drill installation for quick setup and reliable performance on rough terrain.



UWLD12-KIT

Get even more customization from your Myers Made trailer with the UWLD1 Weldable Bracket Kit. This bare metal DIY essential includes two rugged steel brackets ready for welding, plus four strut channel nuts and bolts for secure mounting. Weld on your own tabs, arms, or fixtures to create tailored accessories—like tool holders, spare mounts, or equipment racks—that bolt directly into the built-in strut channels. Durable, unpainted steel for easy welding and finishing.

Manufactured By:



306 S Hwy 183 - Sargent, NE USA
(308) 527-3304 - www.MyersMade.com

Dealer:

MYERS MADE